



CF4H1008



Ferrite Wirewound, High Performance

PART NUMBER	L μ H	L TEST FREQ MHz	Q MIN	Q TEST FREQ MHz	SRF MHz MIN	DCR OHMS MAX	CURRENT RATING mA DC MAX
FERRITE CORE							
CF4H1008-120*	0.12	25	45	75	900	0.15	1420
CF4H1008-150*	0.15	25	45	75	800	0.18	1300
CF4H1008-180*	0.18	25	45	75	750	0.20	1230
CF4H1008-220*	0.22	25	45	75	700	0.22	1120
CF4H1008-270*	0.27	25	45	75	600	0.24	1080
CF4H1008-330*	0.33	25	45	75	520	0.25	1050
CF4H1008-390*	0.39	25	40	75	450	0.25	1050
CF4H1008-470*	0.47	25	40	75	400	0.26	1030
CF4H1008-560*	0.56	25	40	75	375	0.27	970
CF4H1008-680*	0.68	25	40	75	330	0.30	920
CF4H1008-820*	0.82	25	40	75	300	0.32	890
CF4H1008-101*	1.0	7.9	35	50	280	0.35	850
CF4H1008-121*	1.2	7.9	35	50	260	0.38	815
CF4H1008-151*	1.5	7.9	35	50	240	0.41	785
CF4H1008-181*	1.8	7.9	35	50	220	0.46	740
CF4H1008-221*	2.2	7.9	35	50	205	0.75	580
CF4H1008-271*	2.7	7.9	35	50	185	0.95	515
CF4H1008-331*	3.3	7.9	35	50	170	1.35	430
CF4H1008-391*	3.9	7.9	35	50	155	1.50	410
CF4H1008-471*	4.7	7.9	35	25	140	1.60	400
CF4H1008-561*	5.6	7.9	35	25	128	1.70	390
CF4H1008-681*	6.8	7.9	30	25	110	2.00	355
CF4H1008-821*	8.2	7.9	30	25	95	2.20	340

*Substitute "K" for 10% tolerance, "J" for 5% tolerance, "G" for 2% tolerance
Optional tolerances of 3% or 1% may be available; please contact factory.
Custom designs are available to meet your specific requirements; please contact factory.

continued next page

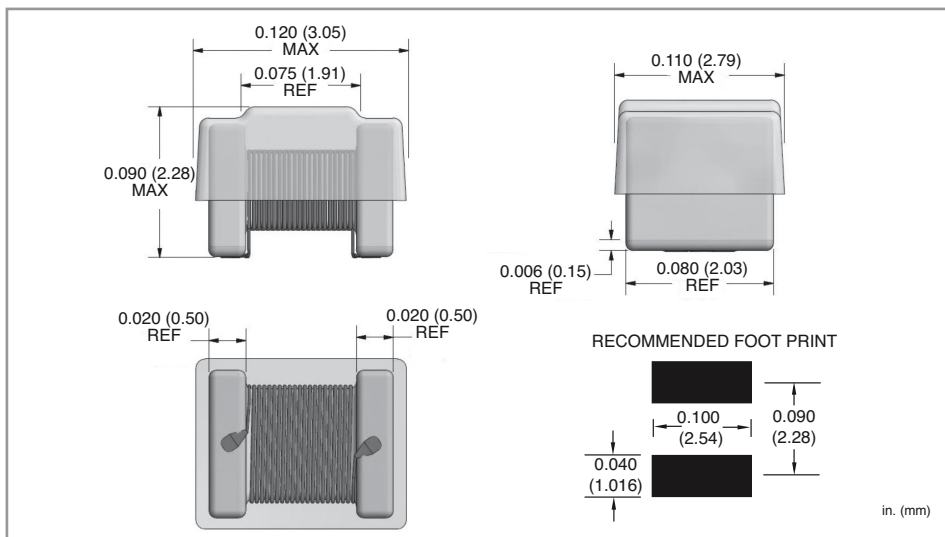
These RoHS components meet the $\leq 0.1\%$ lead requirement and they are compatible with 260° soldering processes.

NOTES:

- Operating Temperature Range: -55°C to $+125^\circ\text{C}$
- Current Rating is based on a 35°C temperature rise at an ambient temperature of 90°C
- Terminations are Gold over Nickel
- Inductance and Q are measured using the HP4342 or HP4291
- SRF is measured using the HP4291, HP8753 or equivalent
- Suitable for reflow soldering
- Flat top cover for pick and place
- Excellent for high frequency applications
- Refer to CC4H1008 (ceramic core) series for additional inductance values
- No internal solder connection increases reliability
- Very tight distribution within lots
- Extremely high SRF; Exceptional Q
- High current handling capability
- Low DC resistance
- Applications include: electronic test equipment, medical equipment, telecommunications, disk drives, computers and modems, aviation equipment, navigation equipment and cable TV

TAPE AND REEL SPECS:

Pcs./Reel maximum	2000
Pitch between parts:	4 mm
Tape width:	8 mm
Reel diameter:	7 in.



continued from previous page

CF4H1008 Ferrite Wirewound, High Performance

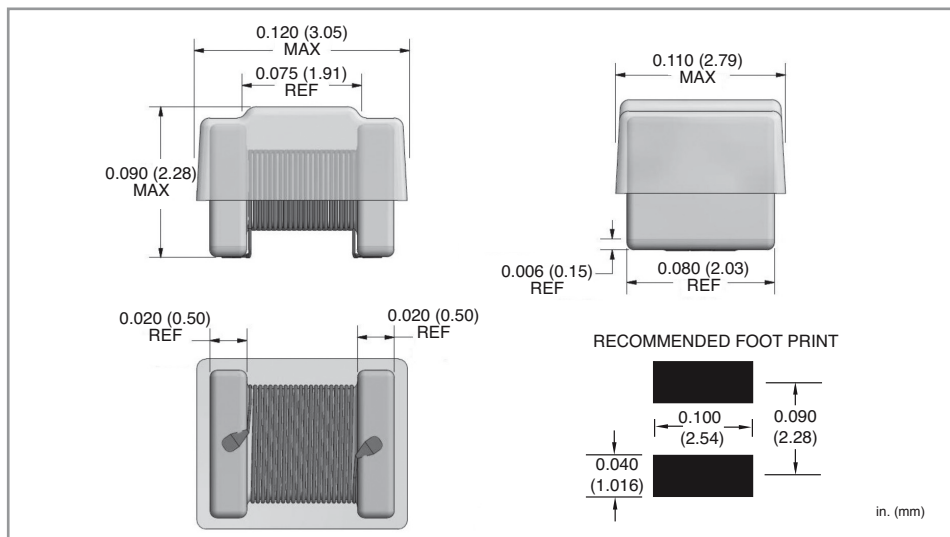


PART NUMBER	L μ H	L TEST FREQ MHz	Q MIN	Q TEST FREQ MHz	SRF MHz MIN	DCR OHMS MAX	CURRENT RATING mA DC MAX
FERRITE CORE							
CF4H1008-102*	10	7.9	30	25	80	2.40	325
CF4H1008-122*	12	2.5	30	25	70	3.50	270
CF4H1008-152*	15	2.5	30	25	65	4.10	250
CF4H1008-182*	18	2.5	30	7.9	40	5.00	225
CF4H1008-222*	22	2.5	30	7.9	35	6.00	205
CF4H1008-272*	27	2.5	30	7.9	30	7.00	190
CF4H1008-332*	33	2.5	30	7.9	25	8.00	180
CF4H1008-392*	39	2.5	30	7.9	20	9.00	170
CF4H1008-472*	47	2.5	30	2.5	16	10.0	160
CF4H1008-562*	56	2.5	30	2.5	14	11.0	152
CF4H1008-682*	68	2.5	30	2.5	12	13.0	140
CF4H1008-822*	82	2.5	30	2.5	10	14.0	135
CF4H1008-103*	100	2.5	30	2.5	9.6	16.0	125

*Substitute "K" for 10% tolerance, "J" for 5% tolerance, "G" for 2% tolerance
 Optional tolerances of 3% or 1% may be available; please contact factory.
 Custom designs are available to meet your specific requirements; please contact factory.

continued next page

These RoHS components meet the $\leq 0.1\%$ lead requirement and they are compatible with 260° soldering processes.



NOTES:

- Operating Temperature Range: -55°C to $+125^\circ\text{C}$
- Current Rating is based on a 35°C temperature rise at an ambient temperature of 90°C
- Terminations are Gold over Nickel
- Inductance and Q are measured using the HP4342 or HP4291
- SRF is measured using the HP4291, HP8753 or equivalent
- Suitable for reflow soldering
- Flat top cover for pick and place
- Excellent for high frequency applications
- Refer to CC4H1008 (ceramic core) series for additional inductance values
- No internal solder connection increases reliability
- Very tight distribution within lots
- Extremely high SRF; Exceptional Q
- High current handling capability
- Low DC resistance
- Applications include: electronic test equipment, medical equipment, telecommunications, disk drives, computers and modems, aviation equipment, navigation equipment and cable TV

TAPE AND REEL SPECS:

Pcs./Reel maximum	2000
Pitch between parts:	4 mm
Tape width:	8 mm
Reel diameter:	7 in.

continued from previous page

CF4H1008 **RoHS COMPLIANT**
 Ferrite Wirewound, High Performance

