



TAC9225 Series

Size: 3.64 in sq. x 1.0 in. thk
(92.5mm sq. x 25.4mm thk.)

Airflow: 22 - 36 CFM

Acoustical Noise: 24 - 37 dB (A)

MATERIAL: Frame - Aluminum Alloy, Painted Black Finish
Bearings - Sealed Ball
Impeller - UL94V-0 Plastic

WEIGHT: 9.5 oz. (270g)

TERMINATION: Terminals standard (Lead Wires on request)

OPERATION TEMPERATURE: -20° to +80°C

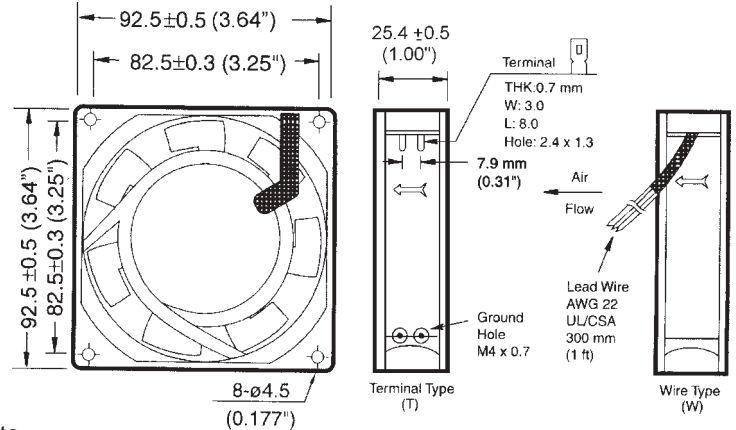
INSULATION RESISTANCE: 10 Megohms min @ 500VDC

DIELECTRIC STRENGTH: 1,500 VAC for 1 min.

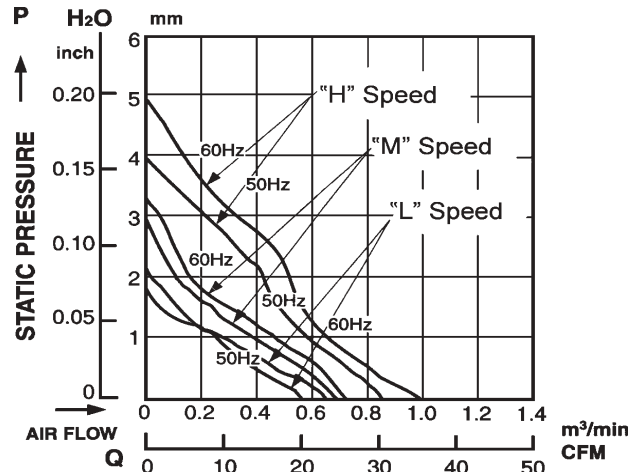
INSULATION: Class B

SAFETY: Impedance Protected

SAFETY APPROVALS: UL 106227 & CSA LR702499 (Applies to single voltage models only)
CE (Applies to 230 V models only)



PERFORMANCE CURVES: (Obtained with test chamber and methods in accordance with AMCA Std. 210-74)



SPECIFICATIONS: (Based on 60 Hz Frequency)

PART NUMBER	VOLTS	WATTS	mAMPS	RPM	NOISE dB (A) @ 1M	CFM
TAC9225115HT	115	17.0	200	2800	37	36
TAC9225115MT	115	10.0	60	2400	30	28
TAC9225115LT	115	6.0	50	1900	24	22
TAC9225230HT	230	17.0	90	2800	37	36
TAC9225230MT	230	10.0	50	2400	30	28
TAC9225230LT	230	6.0	40	1900	24	22
TAC9225345HW	115 / 230	17.0	200 / 90	2800	37	36

NOTE: Standard models with Terminals. Lead Wires available on request.
Dual voltage model with wire leads only.