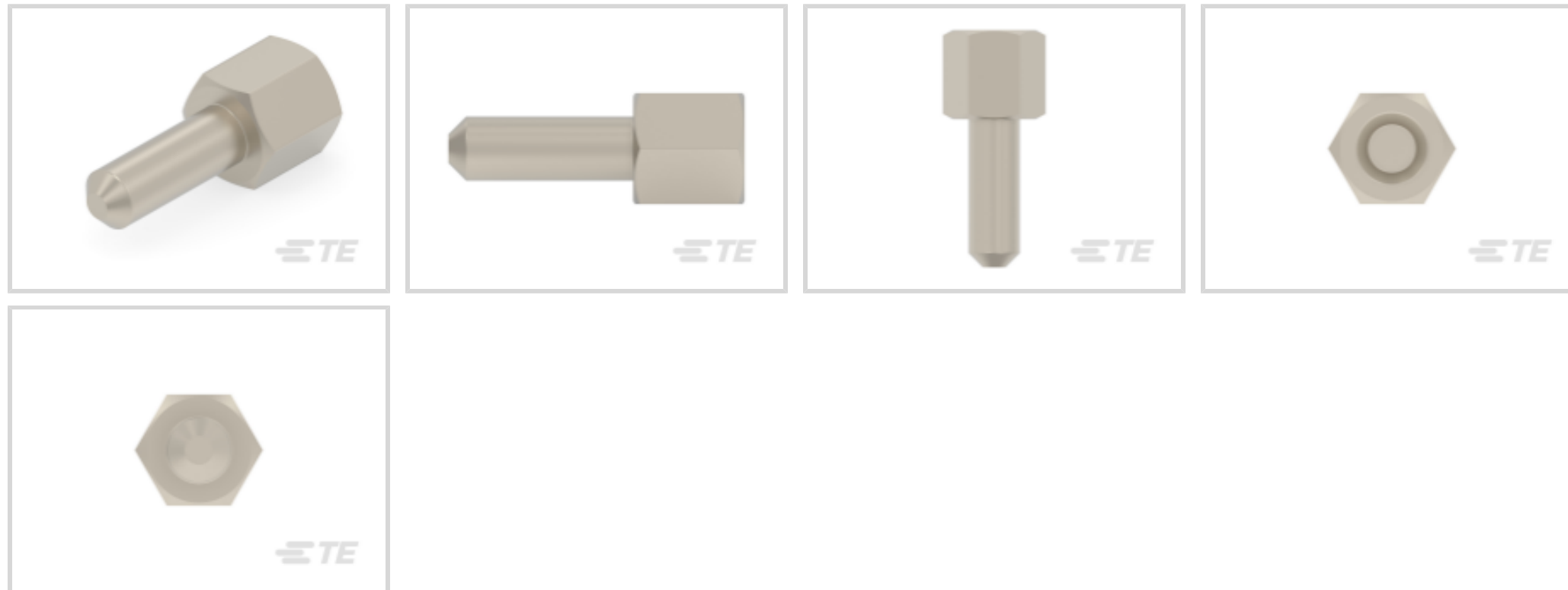




Connectors > Connector Accessories > Connector Hardware



Connector Hardware Accessory Type: **Female Screwlock**

Hardware Accessory Function: **Latching, Locking & Retention**

Features

Product Type Features

Connector Hardware Accessory Type	Female Screwlock
Hardware Accessory Function	Latching, Locking & Retention

Mechanical Attachment

Thread Size	4-40 UNC 2A (Male), M2.6 (Female)
-------------	-----------------------------------

Dimensions

Thread Length	7.92 mm[.312 in]
Product Feature Length	12.7 mm[.5 in]

Packaging Features

Packaging Method	Individual
Packaging Quantity	1

Product Compliance

[For compliance documentation, visit the product page on TE.com>](#)

EU RoHS Directive 2011/65/EU	Compliant with Exemptions
EU ELV Directive 2000/53/EC	Not Compliant
China RoHS 2 Directive MIIT Order No 32, 2016	Restricted Materials Above Threshold
EU REACH Regulation (EC) No. 1907/2006	Current ECHA Candidate List: JAN 2025 (247)

Candidate List Declared Against: JAN 2025
(247)

SVHC > Threshold:

Pb (.29% in 30166740512)

Article Safe Usage Statements:

Do not eat, drink or smoke when using this product. Wash thoroughly after handling. Recycle if possible and dispose of the article by following all applicable governmental regulations relevant to your geographic location.

Halogen Content

Low Halogen - Br, Cl, F, I < 900 ppm per homogenous material. Also BFR/CFR/PVC Free

Solder Process Capability

Not applicable for solder process capability

Product Compliance Disclaimer

This information is provided based on reasonable inquiry of our suppliers and represents our current actual knowledge based on the information they provided. This information is subject to change. The part numbers that TE has identified as EU RoHS compliant have a maximum concentration of 0.1% by weight in homogenous materials for lead, hexavalent chromium, mercury, PBB, PBDE, DBP, BBP, DEHP, DIBP, and 0.01% for cadmium, or qualify for an exemption to these limits as defined in the Annexes of Directive 2011/65/EU (RoHS2). Finished electrical and electronic equipment products will be CE marked as required by Directive 2011/65/EU. Components may not be CE marked. Additionally, the part numbers that TE has identified as EU ELV compliant have a maximum concentration of 0.1% by weight in homogenous materials for lead, hexavalent chromium, and mercury, and 0.01% for cadmium, or qualify for an exemption to these limits as defined in the Annexes of Directive 2000/53/EC (ELV). Regarding the REACH Regulation, the information TE provides on SVHC in articles for this part number is based on the latest European Chemicals Agency (ECHA) 'Guidance on requirements for substances in articles' posted at this URL: <https://echa.europa.eu/guidance-documents/guidance-on-reach>

Compatible Parts

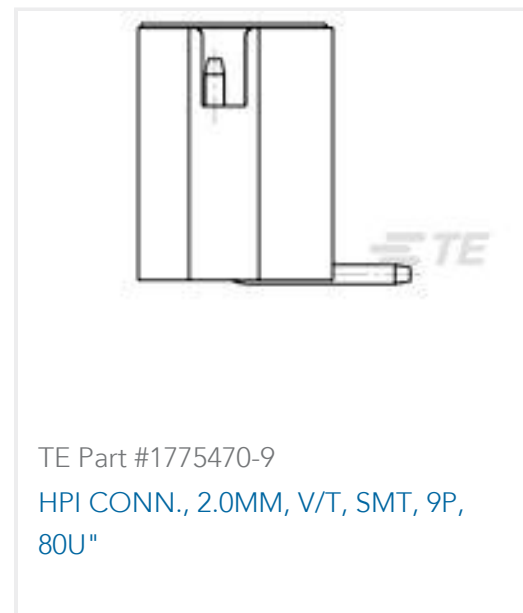


Customers Also Bought





TE Part #7-6609107-6
PS000DS6B=C1196



TE Part #1775470-9
HPI CONN., 2.0MM, V/T, SMT, 9P,
80U"



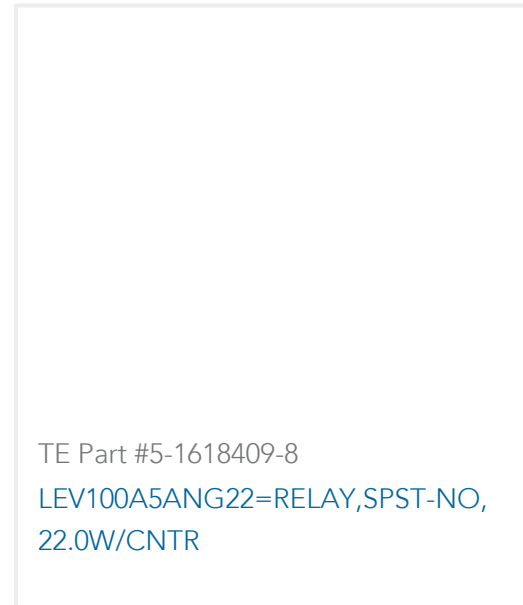
TE Part #1318382-8
025 16POS CAP ASSY H SELECTIVE-
TIN



TE Part #2016694-2
RF CA,UMCC4 TO SMA JACK,1.13MM,
L100MM



TE Part #5-747912-2
25 Plug Solder Cup, Gold Flash



TE Part #5-1618409-8
LEV100A5ANG22=RELAY,SPST-NO,
22.0W/CNTR

Documents

Product Drawings

SCREW LOCK (M-2.6)

English

CAD Files

Customer View Model

[ENG_CVM_CVM_174327-1_O1.3d_igs.zip](#)

English

Customer View Model

[ENG_CVM_CVM_174327-1_O1.3d_stp.zip](#)

English

Customer View Model

[ENG_CVM_CVM_174327-1_O1.2d_dxf.zip](#)

English

3D PDF

3D

Customer View Model

[ENG_CVM_174327-1_O.3d_igs.zip](#)

English

Customer View Model

[ENG_CVM_174327-1_O.3d_stp.zip](#)

English

Customer View Model

[ENG_CVM_174327-1_O.2d_dxf.zip](#)

English

3D PDF

English



By downloading the CAD file I accept and agree to the [Terms and Conditions](#) of use.

Product Specifications

CHAMP.050 Series(II) Connector Wire to Board Type

English

Product Specification

English

Product Specification

English