

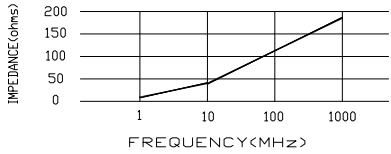
ORDER INFORMATION

5 R J 1 D R 1 0 R 2 N - 8 8 X X 0 0 L - 740 - B X

MATERIALS:

- HOUSING-PBT POLYESTER UL94V-0 MIXED GLASS FIBER. STANDARD COLOR-BLACK
- CONTACTS-0.35mm THICK PHOS-BRONZE PLATED WITH HARD GOLD AND GOLD FLASH IN SOLDER AREA.
- SHIELD-0.25mm THICK COPPER ALLOY, NICKEL PLATED.
- FILTER-HIGH IMPEDANCE , HIGH RESISTIVITY , FERRITE BLOCK

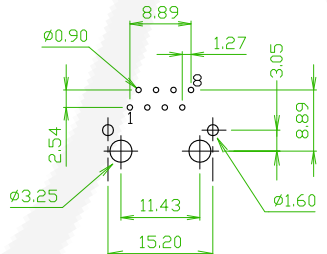
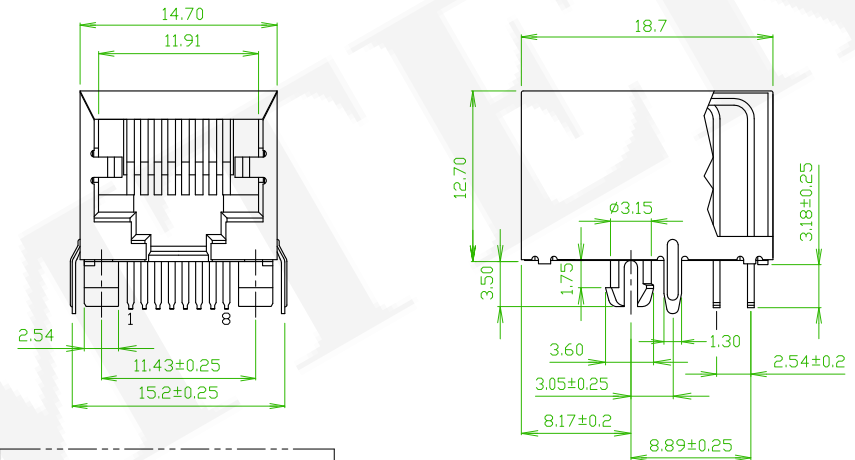
Impedance Characteristic:



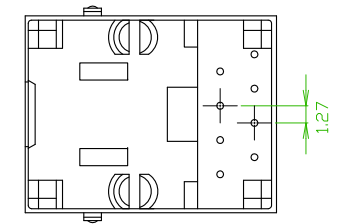
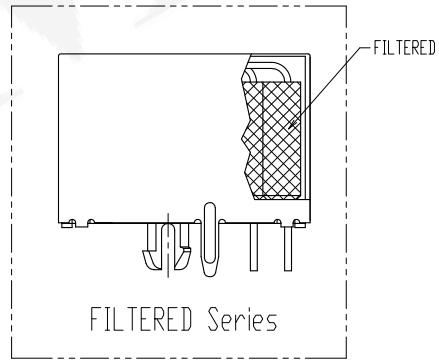
AVITY CONFIRMS TO FCC RULES AND REGULATIONS ART 68,SUBPART F.

AMTEK 耀德
2018.11.30
Released DCC

N:W/O Ear	Number of position 8:8P	Number of contact 8:8C	Gold Plating GA:6u" GF:15u" GD:30u" GH:50u"	L:RoHS + P.B.T+Tray	1:W/O Ferrite 2:With Ferrite
-----------	----------------------------	---------------------------	---	------------------------	---------------------------------



PC Board Layout Ref.



Old Part No.:54MRJDR10-8800GABLA-740-01

REV.	ECN NO. OR DESCRIPTION	REVISED	DATE
△x1	Add the option.	Roy	2018/11/30
△x1	ECN NO.:180605,Revise the Plated:G5->GH	Mia	2018/10/03

耀德精密有限公司
Amtek Technology Co., Ltd.
TEL: 886-2-2260-6878
FAX: 886-2-2260-8030

品名 TITLE	8 POS SHIELDED SIDE ENTRY PCB JACK WITH Ferrite				頁數 Page	1/1
品號 PART NO.	5RJ1DR10R2N-88XX00L-740-BX				繪圖 DRAWN	Jeff 2015/09/16
圖號 DRAWING NO.	GW082-MD556	版本 REV.	C	核對 CHECKED	Josh 2018/11/30	
客戶品號 CUSTOMER P/N		比例 SCALE	None	承認 APPROVED	Jason 2018/11/30	
公差 TOLERANCE	.X ±0.25 .XX ±0.13	單位 UNIT	mm	THIRD ANGLE PROJECTION		