

Material & Finish

Housing & Insert: P.B.T. UL94V-0, Black
 Contact: 0.35 mm thickness phosphor bronze,
 Gold plated over Nickel on contact area,
 Tin plated over Nickel on solder area.

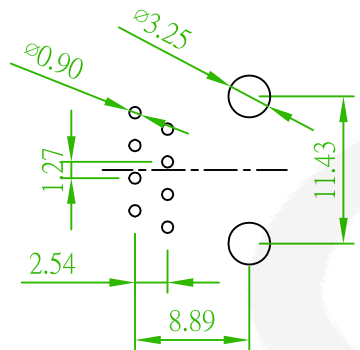
ORDER INFORMATION

5 R J 1 D S 0 0 N 0 N - 8 8 X X 0 0 L - 232 - A X

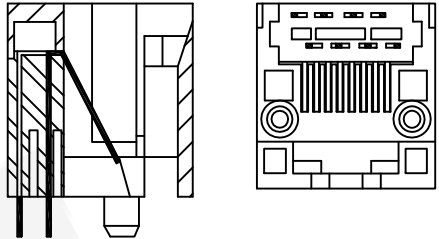
N:No Ear E:With Ear	Number of position (8P)	Number of contact (8C)	SA:Selective 6u" SF:Selective 15u" SD:Selective 30u" SH:Selective 50u"	L:RoHS + PBT+Tray	1:Without Copper Plate 2:Copper Plate Inside 3:Copper Plate with Mylar Inside
------------------------	-------------------------	------------------------	---------------------------------------------------------------------------------	-------------------	-------------------------------------------------------------------------------------



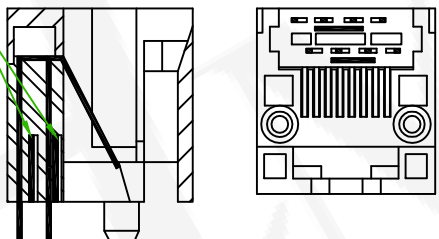
AMTEK 糧德
 2018.10.12
 Released DCC



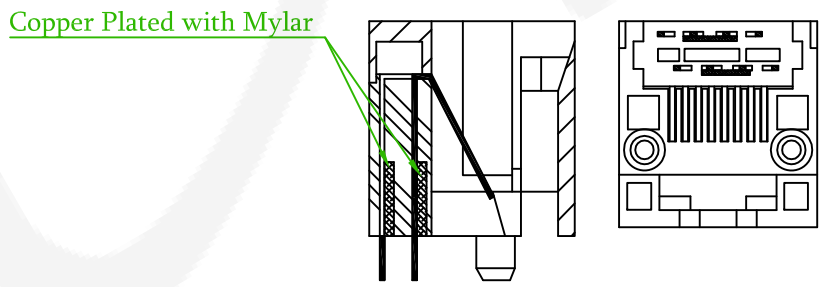
Recommended PCB Layout
 (PCB TOLERANCE ±0.05)



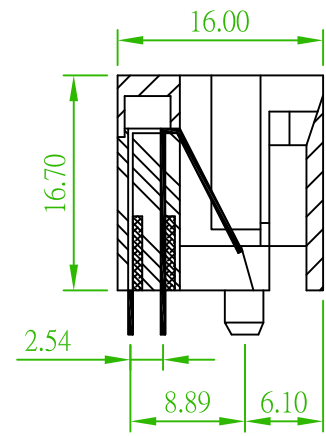
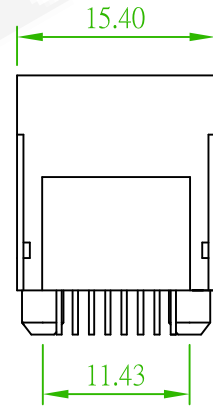
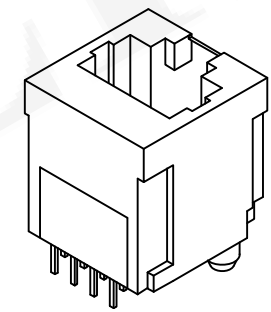
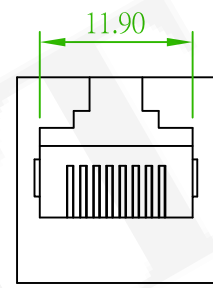
A1: Without Copper Plate



A2: Copper Plate Inside



A3: Copper Plate With Mylar Inside



Old Part No.:232N-L

REV.	ECN NO. OR DESCRIPTION	REVISED	DATE
△x1	ECN NO.:180605,Revise the Plated:S5->SH	Mia	2018/10/01
△x1	ECN NO.:170826 Revise the Title C6->C5	Mia	2017/08/22

糧德精密有限公司
 Amtek Technology Co., Ltd.
 TEL: 886-2-2260-6878
 FAX: 886-2-2260-8030

品名 TITLE	MODULAR JACK TOP ENTRY H=16.7 W=16.0 FOR C5				頁數 Page	1/1
品號 PART NO.	5RJ1DS00N0N-88XX00L-232-AX				繪圖 DRAWN	Jeff 2015/09/16
圖號 DRAWING NO.	GW005-MC622	版本 REV.	C	核對 CHECKED	John 2015/09/16	
客戶品號 CUSTOMER P/N		比例 SCALE	None	承認 APPROVED	John 2015/09/16	
公差 TOLERANCE	.X ±0.25 .XX ±0.20	單位 UNIT	mm	THIRD ANGLE PROJECTION		