

This capacitor series is **designed specifically for the motor run applications** where the capacitors are used in conjunction with permanent split capacitor type motors. They may be **used on either 50 or 60-Hertz systems** but should not be used at higher frequencies or in applications where higher frequency harmonics are present. For those types of applications the General Purpose AC Capacitors (Catalog #GEC 003) shown on the following pages should be used. If there are **any questions** regarding the correct application of these products, please **contact your RBC sales representative**.

SPECIFICATIONS:

- Available Capacitance Range:** 2 to 120 μ F
- Capacitance Tolerance:** \pm 6%
- Capacitance Variation with Temperature:** See Chart M-3 on page 14.
- Rated Voltage:** See Rating Tables. Rating is the 50/60Hz RMS voltage for a sinusoidal waveform.
- Leakage Current:** 30 μ A maximum
- Frequency:** 50/60 Hz. For higher frequencies use General Purpose AC Capacitor Series.
- Operating Temperature:** -40°C to +70°C
- Storage Temperature:** -40°C to +90°C
- Operating Life:** 60,000 hours with 94% survival
(In accordance with the EIA-456 Industry Standard)
- Dissipation Factor:** 0.1% maximum
- Case Material/Finish:** Unpainted Aluminum case, terne plate steel cover. Contact Regal-Beloit if material/finish to meet UL outdoor standards is required.
- Terminations:** ‘Combo’ terminal: 0.250" x 0.031" quick connect blades
- Dielectric Fluid:** Dielektrol VI
- Internal Protection:** UL recognized Pressure Sensitive Interrupter. See Ratings Table for Regal-Beloit’s UL Code Number listed under Regal-Beloit’s UL File E322597. For UL submittals with these capacitors, use the RBC ‘Pxxx’ number not the Catalog Number. The corresponding generic UL designation that includes the Available Faults Current (AFC) rating is given below. All these capacitors are capable of interrupting available fault currents of up to 10,000 amperes.

| Case Style | RBC Code | Generic UL Code |
|------------|----------|-----------------|
| A | P921 | A10000AFC |
| C | P923 | C10000AFC |
| D | P924 | D10000AFC |
| P | P965 | P10000AFC |
| S | P968 | S10000AFC |
| T | P969 | T10000AFC |



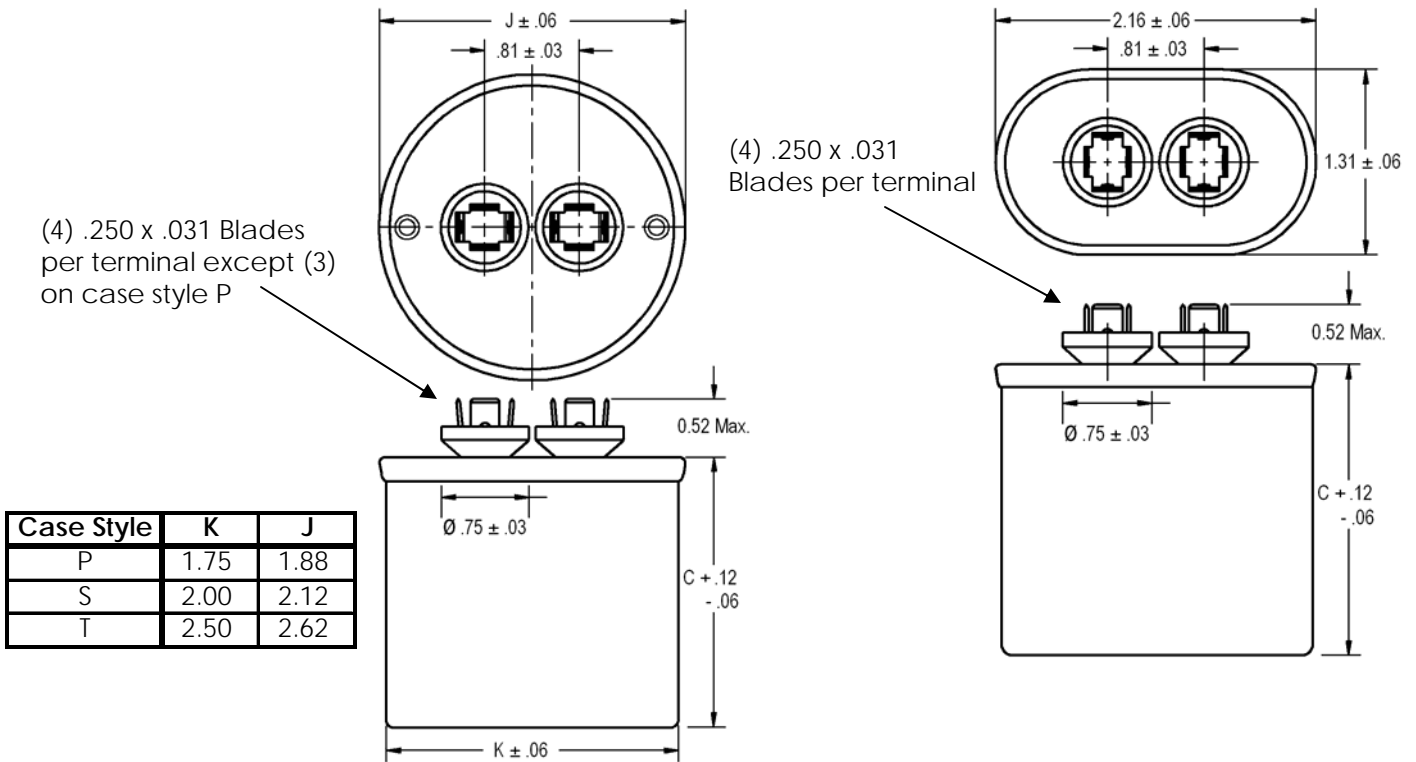
Motor Run Capacitors – GEM III

Single Ratings – 1 Section

| Voltage (VAC) | Capacitance (µF) | Catalog Number | Case Style | Base Size (in.) | Can Type | Height C (in.) | UL Code |
|---------------|------------------|----------------|------------|-----------------|----------|----------------|---------|
| 370 | 3.0 | 27L987 | A | 1.25 | Oval | 1.56 | P921 |
| | 4.0 | 27L571 | A | 1.25 | Oval | 1.56 | P921 |
| | 5.0 | 27L570 | A | 1.25 | Oval | 1.56 | P921 |
| | 6.0 | 97F5706 | A | 1.25 | Oval | 2.12 | P921 |
| | 7.5 | 27L566 | A | 1.25 | Oval | 2.12 | P921 |
| | 10.0 | 97F9002 | A | 1.25 | Oval | 2.88 | P921 |
| | 12.5 | 27L572 | A | 1.25 | Oval | 2.88 | P921 |
| | 15.0 | 27L567 | A | 1.25 | Oval | 2.88 | P921 |
| | 20.0 | 97F9602 | P | 1.75 | Round | 2.88 | P965 |
| | 25.0 | 97F9606 | P | 1.75 | Round | 2.88 | P965 |
| | 30.0 | 97F9608 | P | 1.75 | Round | 3.88 | P965 |
| | 35.0 | 97F9611 | P | 1.75 | Round | 3.88 | P965 |
| | 40.0 | 97F9614 | P | 1.75 | Round | 3.88 | P965 |
| | 45.0 | 97F9884 | P | 1.75 | Round | 4.75 | P965 |
| | 50.0 | 97F9802 | P | 1.75 | Round | 4.75 | P965 |
| | 55.0 | 97F9010 | S | 2.00 | Round | 4.75 | P968 |
| | 60.0 | 97F5276 | T | 2.50 | Round | 3.88 | P969 |
| | 65.0 | 97F9011 | T | 2.50 | Round | 3.88 | P969 |
| | 70.0 | 97F9012 | T | 2.50 | Round | 4.75 | P969 |
| | 75.0 | 27L361 | T | 2.50 | Round | 4.75 | P969 |
| 80.0 | 27L497 | T | 2.50 | Round | 4.75 | P969 | |

Case Style P, S, and T

Case Style A



*It is Regal-Beloit's goal to serve you with the most cost effective and highest quality capacitor designs. Standardization to the catalog type shown is a major program at Regal-Beloit. However, Regal-Beloit remains sensitive to your needs and requirements, and will continue to offer the above ratings (and more) in case configurations to meet your application(s).

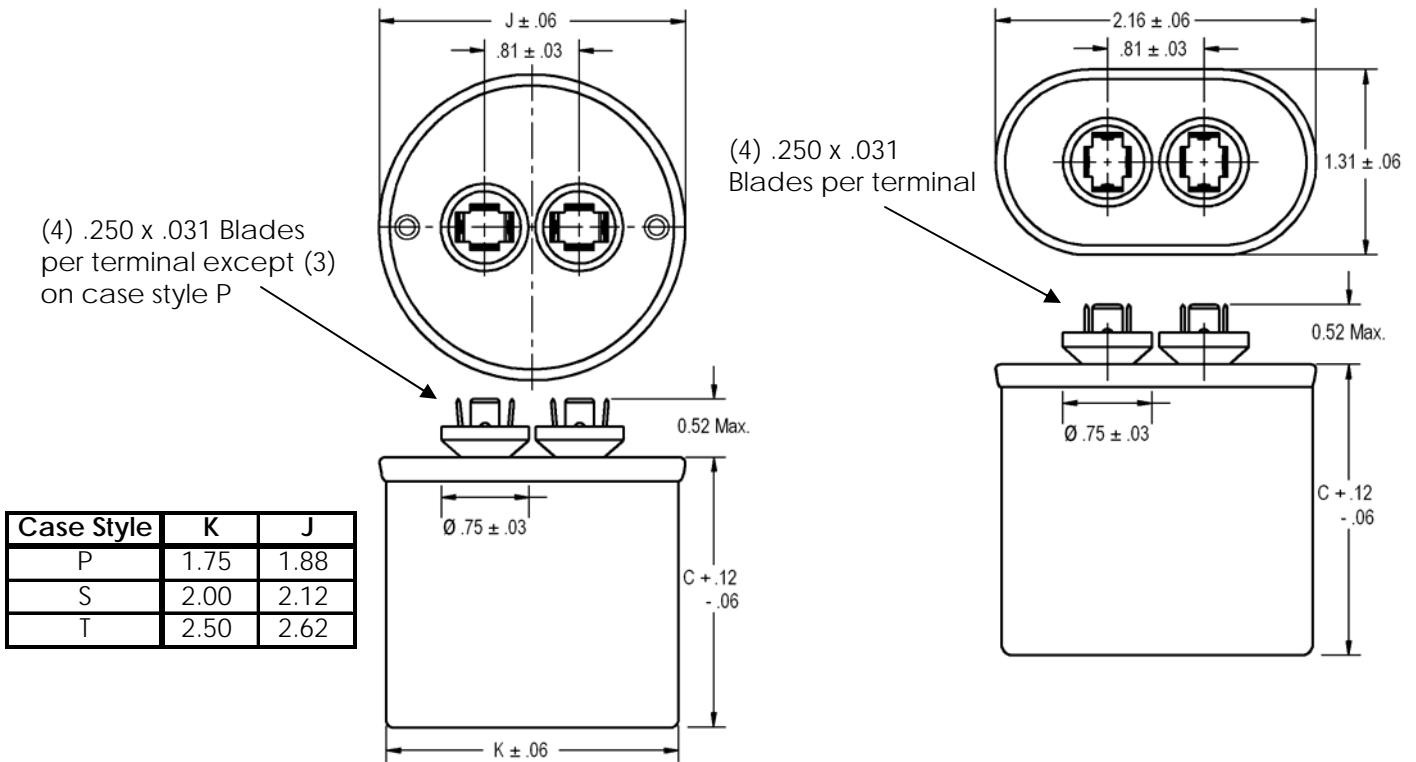


Single Ratings – 1 Section

| Voltage (VAC) | Capacitance (µF) | Catalog Number | Case Style | Base Size (in.) | Can Type | Height C (in.) | UL Code |
|---------------|------------------|----------------|------------|-----------------|----------|----------------|---------|
| 440 | 3.0 | 27L1022 | A | 1.25 | Oval | 1.56 | P921 |
| | 4.0 | 27L1023 | A | 1.25 | Oval | 1.56 | P921 |
| | 5.0 | 27L1024 | A | 1.25 | Oval | 2.12 | P921 |
| | 6.0 | 27L1025 | A | 1.25 | Oval | 2.12 | P921 |
| | 7.5 | 27L695 | A | 1.25 | Oval | 2.88 | P921 |
| | 10.0 | 27L1027 | A | 1.25 | Oval | 2.88 | P921 |
| | 12.5 | 97F9080 | A | 1.25 | Oval | 4.75 | P921 |
| | 15.0 | 97F9625 | A | 1.25 | Oval | 4.75 | P921 |
| | 20.0 | 97F9630 | P | 1.75 | Round | 3.88 | P965 |
| | 25.0 | 97F9632 | P | 1.75 | Round | 3.88 | P965 |
| | 30.0 | 97F9635 | P | 1.75 | Round | 3.88 | P965 |
| | 35.0 | 97F9639 | S | 2.00 | Round | 3.88 | P968 |
| | 40.0 | 97F9642 | S | 2.00 | Round | 3.88 | P968 |
| | 45.0 | 97F9645 | S | 2.00 | Round | 4.75 | P968 |
| | 50.0 | 97F5211 | T | 2.50 | Round | 3.88 | P969 |
| | 55.0 | 97F9042 | T | 2.50 | Round | 4.75 | P969 |
| | 60.0 | 97F9043 | T | 2.50 | Round | 4.75 | P969 |
| | 65.0 | 97F5241 | T | 2.50 | Round | 4.75 | P969 |
| | 70.0 | 97F5251 | T | 2.50 | Round | 4.75 | P969 |
| | 75.0 | 27L349 | T | 2.50 | Round | 5.25 | P969 |
| 80.0 | 27L322 | T | 2.50 | Round | 5.25 | P969 | |

Case Style P, S, and T

Case Style A



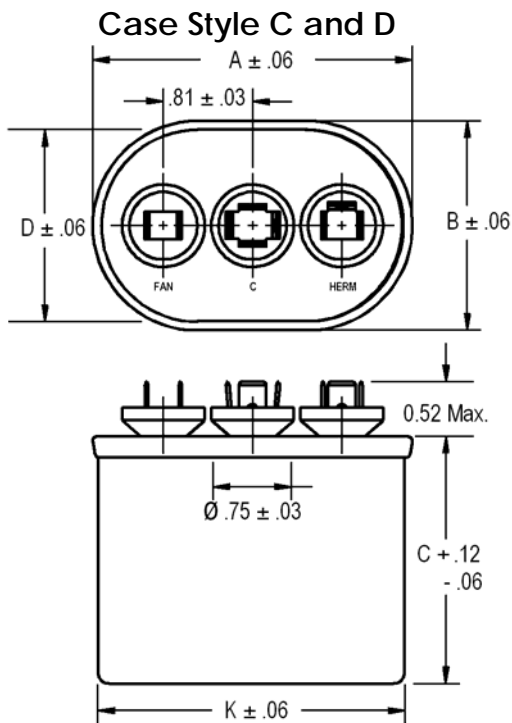
*It is Regal-Beloit's goal to serve you with the most cost effective and highest quality capacitor designs. Standardization to the catalog type shown is a major program at Regal-Beloit. However, Regal-Beloit remains sensitive to your needs and requirements, and will continue to offer the above ratings (and more) in case configurations to meet your application(s).



Motor Run Capacitors – GEM III

Dual Ratings – 2 Sections

| Voltage (VAC) | Capacitance | | Catalog Number | Case Style | Base Size (in.) | Can Type | Height C (in.) | UL Code |
|---------------|-------------|----------|----------------|------------|-----------------|----------|----------------|---------|
| | Herm (µF) | Fan (µF) | | | | | | |
| 370 | 10.0 | 10.0 | 27L956 | C | 1.75 | Oval | 2.12 | P923 |
| | 15.0 | 5.0 | 97F9437 | C | 1.75 | Oval | 2.88 | P923 |
| | 15.0 | 7.5 | 97F9526 | C | 1.75 | Oval | 2.88 | P923 |
| | 15.0 | 10.0 | 97F9015 | C | 1.75 | Oval | 2.88 | P923 |
| | 20.0 | 5.0 | 97F9673 | C | 1.75 | Oval | 2.88 | P923 |
| | 20.0 | 7.5 | 97F9991 | C | 1.75 | Oval | 2.88 | P923 |
| | 20.0 | 10.0 | 97F9018 | C | 1.75 | Oval | 3.88 | P923 |
| | 25.0 | 5.0 | 97F9675 | C | 1.75 | Oval | 2.88 | P923 |
| | 25.0 | 7.5 | 97F9677 | C | 1.75 | Oval | 2.88 | P923 |
| | 25.0 | 10.0 | 97F9678 | C | 1.75 | Oval | 2.88 | P923 |
| | 30.0 | 5.0 | 97F9681 | C | 1.75 | Oval | 3.88 | P923 |
| | 30.0 | 7.5 | 97F9683 | C | 1.75 | Oval | 3.88 | P923 |
| | 30.0 | 10.0 | 27L533 | C | 1.75 | Oval | 3.88 | P923 |
| | 35.0 | 5.0 | 97F9796 | C | 1.75 | Oval | 3.88 | P923 |
| | 35.0 | 7.5 | 97F9864 | C | 1.75 | Oval | 3.88 | P923 |
| | 35.0 | 10.0 | 97F9888 | C | 1.75 | Oval | 3.88 | P923 |
| | 40.0 | 5.0 | 97F9840 | C | 1.75 | Oval | 3.88 | P923 |
| | 40.0 | 7.5 | 97F9845 | C | 1.75 | Oval | 3.88 | P923 |
| | 40.0 | 10.0 | 97F9462 | C | 1.75 | Oval | 3.88 | P923 |
| | 45.0 | 5.0 | 97F9859 | C | 1.75 | Oval | 3.88 | P923 |
| 45.0 | 7.5 | 97F9841 | C | 1.75 | Oval | 3.88 | P923 | |
| 45.0 | 10.0 | 97F9758 | C | 1.75 | Oval | 3.88 | P923 | |
| 50.0 | 5.0 | 97F9885 | C | 1.75 | Oval | 4.75 | P923 | |
| 50.0 | 7.5 | 97F9858 | C | 1.75 | Oval | 4.75 | P923 | |
| 50.0 | 10.0 | 97F9030 | D | 2.00 | Oval | 4.75 | P924 | |



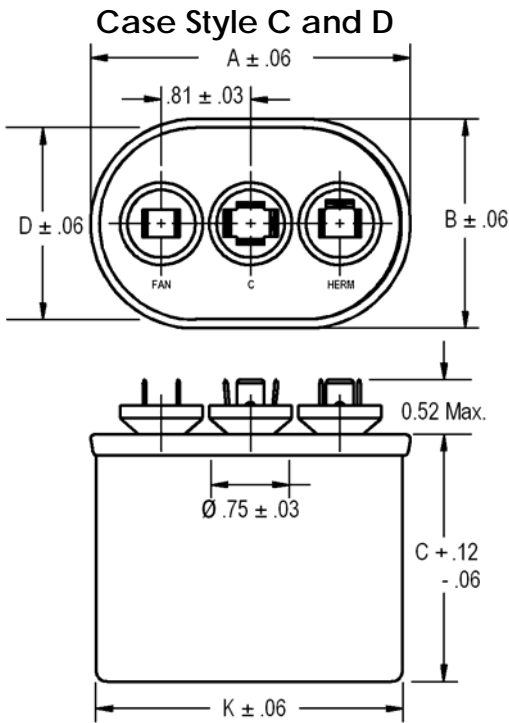
| Case Style | A | B | D | K |
|------------|------|------|------|------|
| C | 2.91 | 1.91 | 1.81 | 2.81 |
| D | 3.66 | 1.97 | 1.88 | 3.56 |

*It is **Regal-Beloit's** goal to serve you with the **most cost effective** and **highest quality capacitor** designs. Standardization to the catalog type shown is a major program at Regal-Beloit. However, Regal-Beloit remains sensitive to your needs and requirements, and **will continue to offer the above ratings (and more) in case configurations to meet your application(s).**

Motor Run Capacitors – GEM III

Dual Ratings – 2 Sections

| Voltage (VAC) | Capacitance | | Catalog Number | Case Style | Base Size (in.) | Can Type | Height C (in.) | UL Code |
|---------------|-------------|----------|----------------|------------|-----------------|----------|----------------|---------|
| | Herm (µF) | Fan (µF) | | | | | | |
| 440 | 15.0 | 5.0 | 97F9694 | C | 1.75 | Oval | 2.88 | P923 |
| | 15.0 | 7.5 | 97F9992 | C | 1.75 | Oval | 2.88 | P923 |
| | 15.0 | 10.0 | 97F9046 | C | 1.75 | Oval | 3.88 | P923 |
| | 20.0 | 5.0 | 97F9695 | C | 1.75 | Oval | 2.88 | P923 |
| | 20.0 | 7.5 | 97F9696 | C | 1.75 | Oval | 3.88 | P923 |
| | 20.0 | 10.0 | 97F9048 | C | 1.75 | Oval | 3.88 | P923 |
| | 25.0 | 5.0 | 97F9730 | C | 1.75 | Oval | 3.88 | P923 |
| | 25.0 | 7.5 | 97F9993 | C | 1.75 | Oval | 3.88 | P923 |
| | 25.0 | 10.0 | 97F9051 | C | 1.75 | Oval | 4.75 | P923 |
| | 30.0 | 5.0 | 97F9994 | C | 1.75 | Oval | 3.88 | P923 |
| | 30.0 | 7.5 | 97F9995 | C | 1.75 | Oval | 3.88 | P923 |
| | 30.0 | 10.0 | 97F9054 | C | 1.75 | Oval | 4.75 | P923 |
| | 35.0 | 5.0 | 97F9842 | C | 1.75 | Oval | 4.75 | P923 |
| | 35.0 | 7.5 | 97F9892 | C | 1.75 | Oval | 4.75 | P923 |
| | 35.0 | 10.0 | 97F9738 | D | 2.00 | Oval | 3.88 | P924 |
| | 40.0 | 5.0 | 97F9843 | C | 1.75 | Oval | 4.75 | P923 |
| | 40.0 | 7.5 | 97F9996 | C | 1.75 | Oval | 4.75 | P923 |
| | 40.0 | 10.0 | 97F9780 | D | 2.00 | Oval | 4.75 | P924 |
| | 45.0 | 5.0 | 97F9844 | C | 1.75 | Oval | 4.75 | P923 |
| | 45.0 | 7.5 | 97F9760 | D | 2.00 | Oval | 4.75 | P924 |
| 45.0 | 10.0 | 97F9477 | C | 1.75 | Oval | 4.75 | P923 | |
| 50.0 | 5.0 | 97F5729 | D | 2.00 | Oval | 5.25 | P924 | |
| 50.0 | 7.5 | 97F5781 | D | 2.00 | Oval | 5.25 | P924 | |
| 50.0 | 10.0 | 97F9593 | D | 2.00 | Oval | 5.25 | P924 | |



| Case Style | A | B | D | K |
|------------|------|------|------|------|
| C | 2.91 | 1.91 | 1.81 | 2.81 |
| D | 3.66 | 1.97 | 1.88 | 3.56 |

*It is Regal-Beloit's goal to serve you with the most cost effective and highest quality capacitor designs. Standardization to the catalog type shown is a major program at Regal-Beloit. However, Regal-Beloit remains sensitive to your needs and requirements, and will continue to offer the above ratings (and more) in case configurations to meet your application(s).

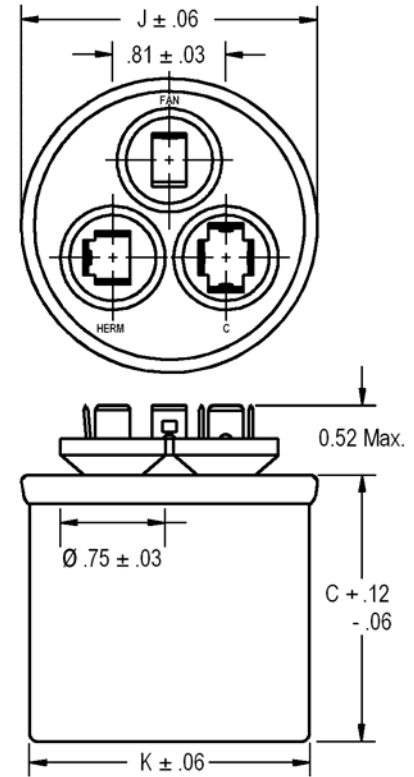


Motor Run Capacitors – GEM III

Dual Ratings – 2 Concentric Sections

| Voltage (VAC) | Capacitance | | Catalog Number | Case Style | Base Size (in.) | Can Type | Height C (in.) | UL Code |
|---------------|-------------|----------|----------------|------------|-----------------|----------|----------------|---------|
| | Herm (µF) | Fan (µF) | | | | | | |
| 370 | 15.0 | 5.0 | 97F9810 | S | 2.00 | Round | 2.88 | P968 |
| | 15.0 | 7.5 | 97F9811 | S | 2.00 | Round | 2.88 | P968 |
| | 15.0 | 10.0 | 97F9965 | S | 2.00 | Round | 2.88 | P968 |
| | 20.0 | 5.0 | 97F9814 | S | 2.00 | Round | 2.88 | P968 |
| | 20.0 | 7.5 | 97F9966 | S | 2.00 | Round | 2.88 | P968 |
| | 20.0 | 10.0 | 97F9967 | S | 2.00 | Round | 2.88 | P968 |
| | 25.0 | 5.0 | 97F9803 | S | 2.00 | Round | 2.88 | P968 |
| | 25.0 | 7.5 | 97F9826 | S | 2.00 | Round | 2.88 | P968 |
| | 25.0 | 10.0 | 97F9827 | S | 2.00 | Round | 3.88 | P968 |
| | 30.0 | 5.0 | 27L877 | S | 2.00 | Round | 2.88 | P968 |
| | 30.0 | 7.5 | 97F9868 | S | 2.00 | Round | 3.88 | P968 |
| | 30.0 | 10.0 | 97F9828 | S | 2.00 | Round | 3.88 | P968 |
| | 35.0 | 5.0 | 97F9834 | S | 2.00 | Round | 3.88 | P968 |
| | 35.0 | 7.5 | 97F9829 | S | 2.00 | Round | 3.88 | P968 |
| | 35.0 | 10.0 | 97F9830 | S | 2.00 | Round | 3.88 | P968 |
| | 40.0 | 5.0 | 97F9849 | S | 2.00 | Round | 3.88 | P968 |
| | 40.0 | 7.5 | 97F9855 | S | 2.00 | Round | 3.88 | P968 |
| | 40.0 | 10.0 | 97F9831 | S | 2.00 | Round | 3.88 | P968 |
| | 45.0 | 5.0 | 27L880 | S | 2.00 | Round | 3.88 | P968 |
| | 45.0 | 7.5 | 27L947 | S | 2.00 | Round | 3.88 | P968 |
| | 45.0 | 10.0 | 97F9832 | S | 2.00 | Round | 4.75 | P968 |
| | 50.0 | 5.0 | 97F9970 | S | 2.00 | Round | 4.75 | P968 |
| | 50.0 | 7.5 | 97F9971 | S | 2.00 | Round | 4.75 | P968 |
| | 50.0 | 10.0 | 97F9972 | S | 2.00 | Round | 4.75 | P968 |
| | 55.0 | 5.0 | 97F9815 | T | 2.50 | Round | 3.88 | P969 |
| | 55.0 | 7.5 | 97F9973 | T | 2.50 | Round | 3.88 | P969 |
| | 55.0 | 10.0 | 97F9974 | T | 2.50 | Round | 3.88 | P969 |
| | 60.0 | 5.0 | 27L954 | T | 2.50 | Round | 3.88 | P969 |
| | 60.0 | 7.5 | 97F9817 | T | 2.50 | Round | 4.75 | P969 |
| | 60.0 | 10.0 | 27L389 | T | 2.50 | Round | 4.75 | P969 |
| 70.0 | 5.0 | 27L633 | T | 2.50 | Round | 4.75 | P969 | |
| 70.0 | 7.5 | 27L556 | T | 2.50 | Round | 4.75 | P969 | |
| 70.0 | 10.0 | 27L414 | T | 2.50 | Round | 4.75 | P969 | |
| 80.0 | 5.0 | 27L651 | T | 2.50 | Round | 4.75 | P969 | |
| 80.0 | 7.5 | 27L522 | T | 2.50 | Round | 4.75 | P969 | |
| 80.0 | 10.0 | 25L261 | T | 2.50 | Round | 4.75 | P969 | |

Case Style S and T



| Case Style | K | J |
|------------|------|------|
| S | 2.00 | 2.12 |
| T | 2.50 | 2.62 |

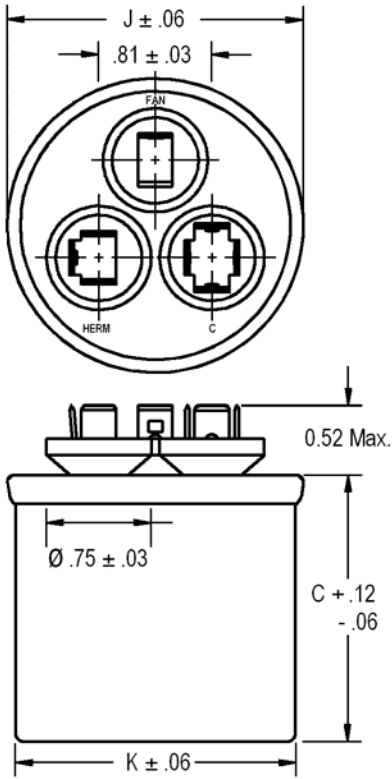
*It is Regal-Beloit's goal to serve you with the most cost effective and highest quality capacitor designs. Standardization to the catalog type shown is a major program at Regal-Beloit. However, Regal-Beloit remains sensitive to your needs and requirements, and will continue to offer the above ratings (and more) in case configurations to meet your application(s).



Motor Run Capacitors – GEM III

Dual Ratings – 2 Concentric Sections

Case Style S and T



| Voltage (VAC) | Capacitance | | Catalog Number | Case Style | Base Size (in.) | Can Type | Height C (in.) | UL Code |
|---------------|-------------|----------|----------------|------------|-----------------|----------|----------------|---------|
| | Herm (µF) | Fan (µF) | | | | | | |
| 440 | 15.0 | 5.0 | 97F9997 | S | 2.00 | Round | 2.88 | P968 |
| | 15.0 | 7.5 | 97F9998 | S | 2.00 | Round | 3.88 | P968 |
| | 20.0 | 5.0 | 97F9975 | S | 2.00 | Round | 2.88 | P968 |
| | 20.0 | 7.5 | 97F9976 | S | 2.00 | Round | 3.88 | P968 |
| | 20.0 | 10.0 | 97F9451 | T | 2.50 | Round | 3.88 | P969 |
| | 25.0 | 5.0 | 97F9978 | S | 2.00 | Round | 3.88 | P968 |
| | 25.0 | 7.5 | 97F9979 | S | 2.00 | Round | 3.88 | P968 |
| | 25.0 | 10.0 | 27L558 | S | 2.00 | Round | 3.88 | P968 |
| | 30.0 | 5.0 | 97F9981 | S | 2.00 | Round | 3.88 | P968 |
| | 30.0 | 7.5 | 97F9982 | S | 2.00 | Round | 3.88 | P968 |
| | 30.0 | 10.0 | 97F9983 | S | 2.00 | Round | 3.88 | P968 |
| | 35.0 | 5.0 | 97F9848 | S | 2.00 | Round | 4.75 | P968 |
| | 35.0 | 7.5 | 97F9881 | S | 2.00 | Round | 4.75 | P968 |
| | 35.0 | 10.0 | 27L204 | T | 2.50 | Round | 3.88 | P969 |
| | 40.0 | 5.0 | 97F9838 | S | 2.00 | Round | 4.75 | P968 |
| | 40.0 | 7.5 | 97F9882 | S | 2.00 | Round | 4.75 | P968 |
| | 40.0 | 10.0 | 97F9985 | S | 2.00 | Round | 4.75 | P968 |
| | 45.0 | 5.0 | 27L889 | S | 2.00 | Round | 4.75 | P968 |
| | 45.0 | 7.5 | 97F9883 | T | 2.50 | Round | 3.88 | P969 |
| | 45.0 | 10.0 | 27L378 | T | 2.50 | Round | 3.88 | P969 |
| | 50.0 | 5.0 | 27L569 | T | 2.50 | Round | 4.25 | P969 |
| | 50.0 | 7.5 | 97F9987 | T | 2.50 | Round | 4.75 | P969 |
| | 50.0 | 10.0 | 27L647 | T | 2.50 | Round | 4.75 | P969 |
| | 55.0 | 5.0 | 97F9839 | T | 2.50 | Round | 4.75 | P969 |
| | 55.0 | 7.5 | 97F9874 | T | 2.50 | Round | 4.75 | P969 |
| | 55.0 | 10.0 | 97F9989 | T | 2.50 | Round | 4.75 | P969 |
| | 60.0 | 5.0 | 97F9897 | T | 2.50 | Round | 4.75 | P969 |
| | 60.0 | 7.5 | 97F9898 | T | 2.50 | Round | 4.75 | P969 |
| | 60.0 | 10.0 | 25L756 | T | 2.50 | Round | 4.75 | P969 |
| | 70.0 | 10.0 | 27L866 | T | 2.50 | Round | 4.75 | P969 |
| | 80.0 | 7.5 | 27L801 | T | 2.50 | Round | 4.75 | P969 |

| Case Style | K | J |
|------------|------|------|
| S | 2.00 | 2.12 |
| T | 2.50 | 2.62 |

*It is Regal-Beloit's goal to serve you with the most cost effective and highest quality capacitor designs. Standardization to the catalog type shown is a major program at Regal-Beloit. However, Regal-Beloit remains sensitive to your needs and requirements, and will continue to offer the above ratings (and more) in case configurations to meet your application(s).

