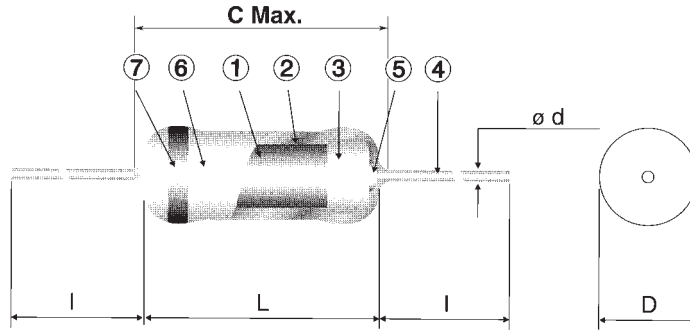


ZERO OHM
COAT INSULATED
Z



STRUCTURE

- 1 Ceramic core
- 2 Conductive film
- 3 Steel cap (Cu, Sn plated)
- 4 Lead wire
- 5 Welding joint
- 6 Epoxy overcoating
- 7 Marking

IDENTIFICATION

PRODUCT CODE	COATING COLOR	MARKING
Z 16	Ivory	One black band
Z 25	Venetian Red	

Products with Pb-free terminations meet RoHS requirements

TYPE DESIGNATION (HOW TO ORDER)

Old Part No.	16Z		T26	A
New Part No. (Pb-free)	Z16	C	T26	A
	PRODUCT CODE	TERMINATION SURFACE MATERIAL C: SnCu L: Sn/Pb	TAPING & FORMING	PACKAGING A: Ammo R: Reel

*Please see "PACKAGING"

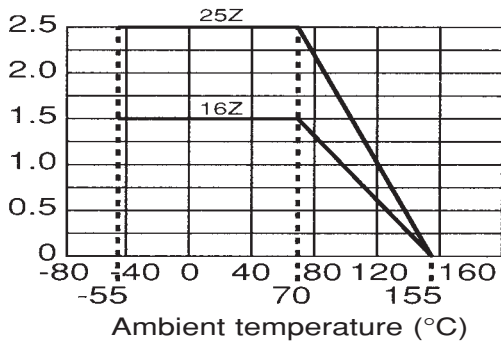
FEATURES

- Zero Ohm resistors in the identical shape of the CFS1/4 and the CF1/4 series
- Automatic insertion is applicable
- Rated ambient temperature: +70°C
- Operating temperature range: -55°C... +155°C

DIMENSIONS

TYPE	L	C Max.	D	I Min.	d(nominal)
Z 16	3.2 ± 0.2	3.4	1.7 ^{+0.2} / _{-0.1}	20	0.45
Z 25	6.1 ± 0.5	7.1	2.3 ± 0.3		0.6

DERATING CURVE



RATING

DIN SIZE	TYPE	MAX. ALLOWABLE CURRENT*	DIELECTRIC WITHSTANDING VOLTAGE	RESISTANCE
0204	Z 16	1.5 A	300 V	Less than 20mΩ
0207	Z 25	2.5 A	500 V	

*For resistors operated in ambient temperature over +70° C, power rating shall be derated like shown in above "DERATING CURVE".

Specifications given herein may be changed at any time without prior notice. Please confirm technical specifications before you order and/or use.