



# 深圳市亞磊科技有限公司

SHENZHEN YALEI TECHNOLOGY CO.,LTD

地址(Add): 广东省深圳市宝安区沙井镇黄埔社区东环路46号厂房1栋9楼  
电话(Tel): (86)755-29547103 33938753 传真(Fax): (86)755-33818280

**P/N: YLC-G525YG<sub>2</sub>Y<sub>1</sub>-C**

## Descriptions:

- ◇ φ5.0mm standard type, 3 pins, Common Cathode
- ◇ Emitting Color: Yellow-Green, Yellow
- ◇ Lens color: Water Clear



## Absolute Maximum Rating(TA=25°C)

Items	Symbol	Absolute Maximum Rating	Unit
Reverse Voltage	V <sub>R</sub>	5	V
Reverse current	I <sub>R</sub>	5	uA
Peak Current(duty)	I <sub>FP</sub>	40	mA
Power Dissipation	P	60	mW
Operating Temperature range	T <sub>OPR</sub>	-20 ~ +70	°C
Storage Temperature range	T <sub>STG</sub>	-20 ~ +70	°C
Lead soldering temperature	T <sub>SOL</sub>	Max. 260°C for 3 second Max.	

## Electro-optical characteristics(TA=25°C)

### Yellow-Green COLOR :

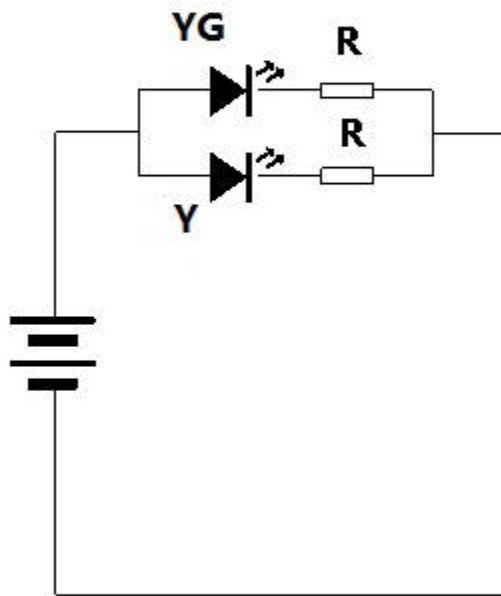
Parameter	Symbol	Min	Typ.	Max	Unit	Test Condition
Forward voltage	V <sub>F</sub>	1.80	2.00	2.50	V	IF=20 mA
Luminous intensity	I <sub>V</sub>	80.00		450.00	mcd	IF=20 mA
Peak emission wavelength	λ <sub>p</sub>	565.00	570.00	575.00	nm	IF=20 mA
Half intensity angle	2θ <sup>1/2</sup>		35		deg	IF=20 mA

### Yellow COLOR :

Parameter	Symbol	Min	Typ.	Max	Unit	Test Condition
Forward voltage	V <sub>F</sub>	1.80	2.00	2.50	V	IF=20 mA
Luminous intensity	I <sub>V</sub>	100.00		600.00	mcd	IF=20 mA
Peak emission wavelength	λ <sub>p</sub>	585.00	590.00	595.00	nm	IF=20 mA
Viewing angle	2θ <sup>1/2</sup>		35		deg	IF=20 mA

## Application diagram and Dimensions

### Application Diagram



NOTE:

1. Unit: mm

2. C: common cathode

YG: Yellow-Green color

Y: Yellow color

### Package Dimensions

